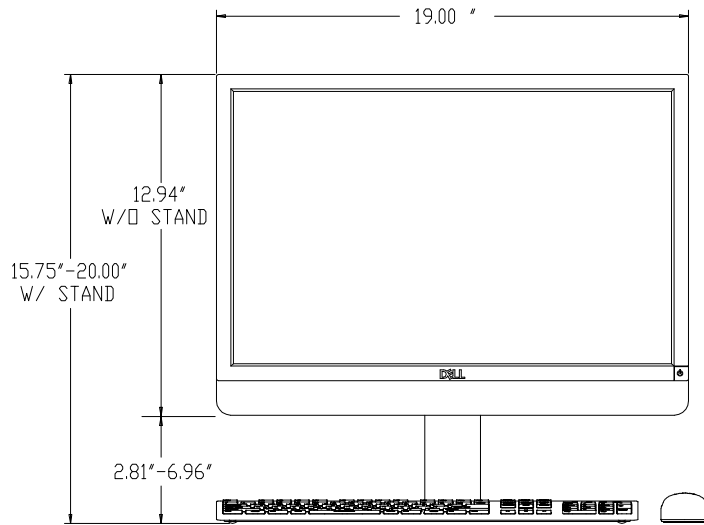


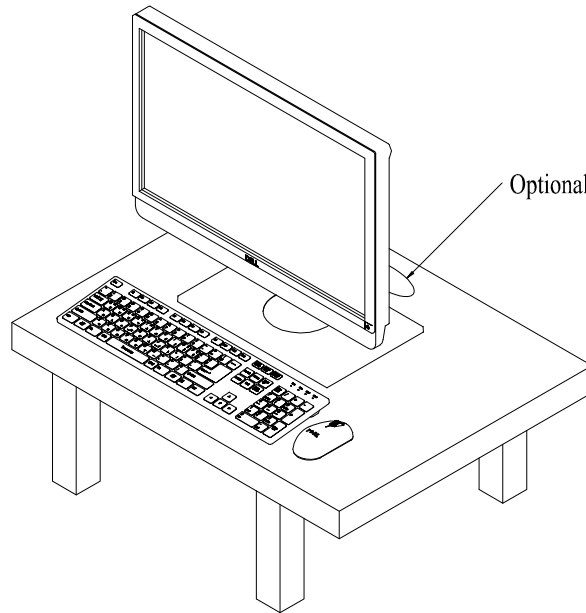
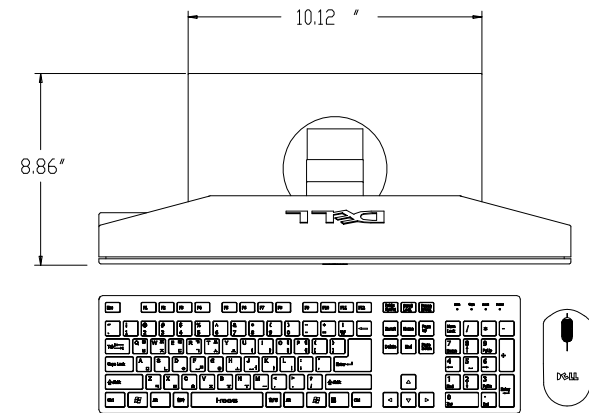
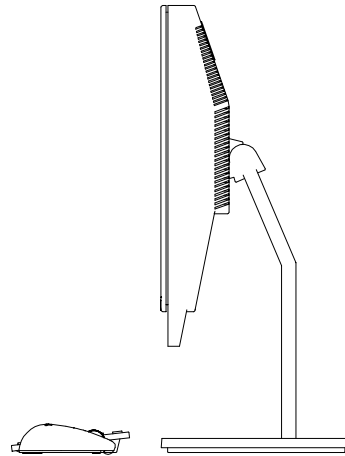
# KeyLink PC Current Model: Dell OptiPlex 3050 All-in-One Premium with Touch Screen\*



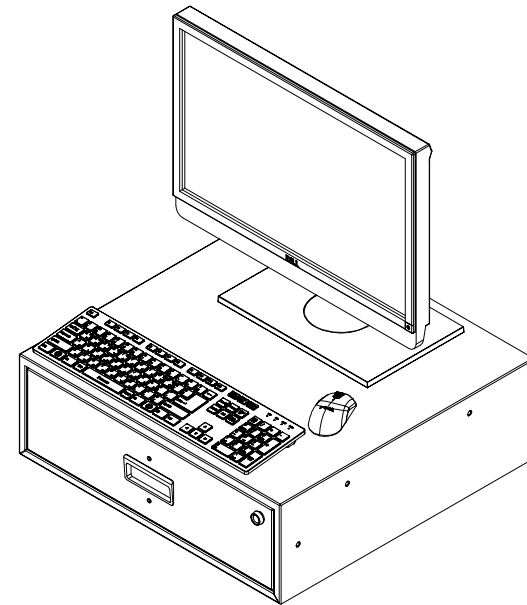
Measurement Height Adjustable Stand

Stand Weight (lbs / kg): 6.27 / 2.85

Stand Width x Depth (inches / centimeters): 10.12 x 8.86 / 25.70 x 22.50



Optional: Drill a hole/grommet for cables to pass through



\*Please note that due to the constant changes in technology hardware, if your KeyLink PC needs services/repairs or even a replacement in the future, we cannot guarantee that it would be the same model from your initial KeyLink installation. Therefore, please do not build a custom space for it. Alternatively, you can choose to opt out on the included KeyLink PC and use your own, so that it would fit your building/desk aesthetic criteria. Just make sure that your own PC has these minimum specs (CPU: intel i5, RAM: 4GB, Windows 7, 8 or 10 64-bit) to be compatible with the KeyLink software. If you choose this option, then we will apply a \$500 credit on your KeyLink invoice upon system delivery, but we cannot service or repair your PC if it breaks down, requires services, etc. You will have to consult your own IT personnel.